

40,0m

32 Tische (256 Personen)

17,0m

2,146m

2,000m

4,000m

1,600m

Catering

Buffet

2,900m

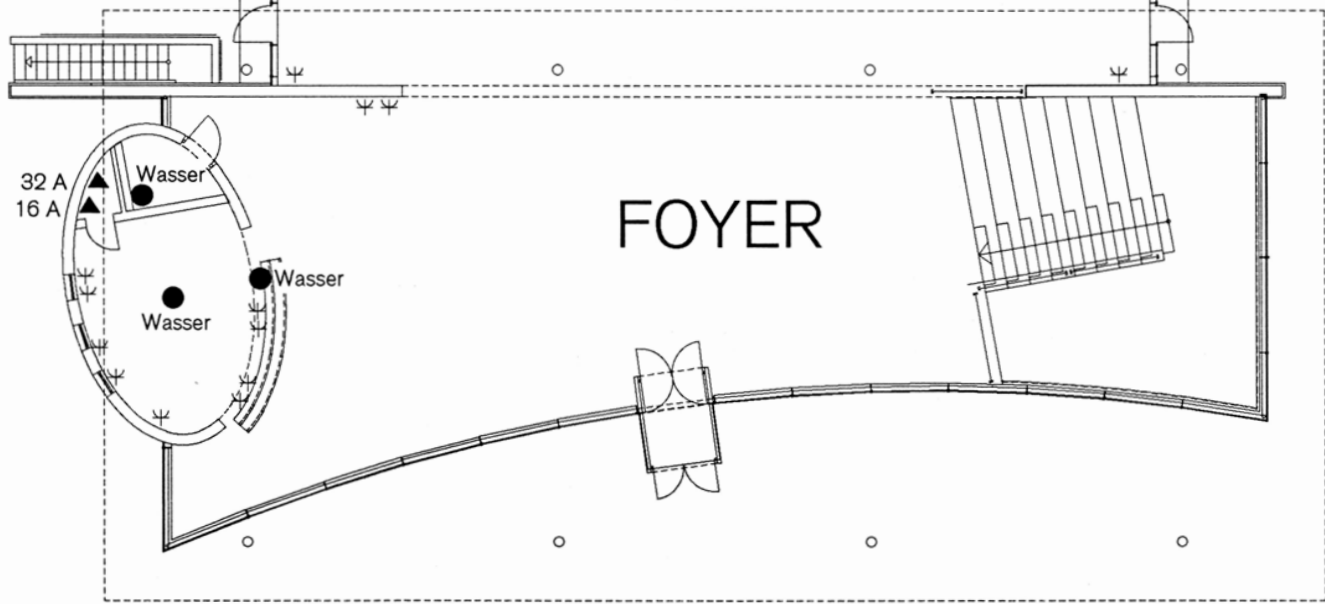
1,300m

BRÄUTER
Brautafel

6,593m

Buehne

6m x 4m



32 A
16 A

Wasser

Wasser

Wasser

FOYER

REITHAUS LUDWIGSBURG

Grundriß

M 1:200

⚡ Elektroanschlüsse 220V